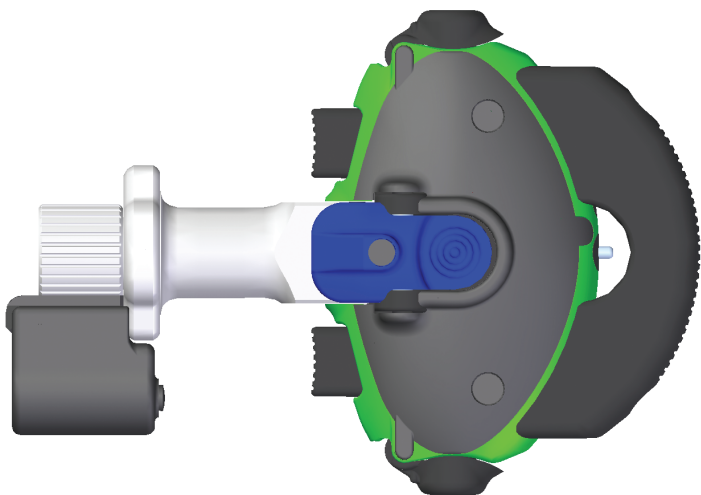


PALM PISTOL®

OWNER'S MANUAL

THIS MANUAL* MUST BE READ IN ITS ENTIRETY
BEFORE USING THE PALM PISTOL® AND AS A
CONDITION OF LIMITED WARRANTY ACTIVATION



*The latest version of this Owner's Manual is posted at www.palmpistol.com.
Download and read the most current version **BEFORE** operating the firearm.

- A loaded firearm has the potential to injure or kill. Always handle intelligently and responsibly.
- An accident is always the result of failure to follow basic safety rules.
- Accident prevention is the user's responsibility.
- Always treat a firearm as if it were loaded and will fire. Always check for yourself to ensure that it is unloaded.
- Always keep the muzzle pointed in a safe direction. Never point it at anything you don't intend to shoot.
- Keep your finger off the trigger until ready to shoot.
- Keep the firearm unloaded until ready to use.
- Before handling and loading a firearm, be sure you know how it functions.
- Be sure to use the correct ammunition.
- Clean your firearm before each use. Inspect the barrel to insure it is free from residue or foreign objects. Shooting with an obstruction in the barrel such as, but not limited to, dirt, mud, grease, lodged bullet or jacket residues can cause the barrel to catastrophically rupture.
- Bullets can ricochet. Never shoot at a flat surface or water.
- Never drink alcohol or take drugs before or during shooting.
- Know your target and what is beyond.
- Store and lock firearms and ammunition separately and beyond the reach of children or other unauthorized people. Keep firearms unloaded when stored or not in use.
- Always wear appropriate safety glasses and hearing protection.
- Attend a firearm safety course such as the National Rifle Association (NRA) Basic Pistol or FIRST Steps Pistol Orientation. Find an upcoming class in your area by visiting the NRA website at www.nrahq.org/education/training/index.asp.

IMPORTANT WARNING - LEAD

Discharging firearms in poorly ventilated areas, cleaning firearms, and handling ammunition may result in exposure to lead and other chemicals known to cause birth defects, reproductive harm, cancer, and other serious physical injury. Have adequate ventilation at all times and do not eat, drink, or smoke until you have thoroughly washed your hands after exposure.

SPECIFIC SAFETY FEATURES RegCode: D

- **Trigger Covers** – Designed to prevent accidental depression of the trigger buttons. **DO NOT** remove trigger covers. This is dangerous, could result in an accidental discharge causing serious injury or death, and will void the warranty.
- **Grip Safeties** – Both must be fully and independently depressed before either trigger will operate.
- **Striker Block (internal)** – Prevents the striker firing pin from contacting the cartridge in the unlikely event of a sear failure.
- **Disengaged Sear Block (internal)** – Prevents the striker from being released by the charging arm disconnect until the sear has fully rotated into its striker engaged position.
- **Latch Safety (internal)** – Prevents the striker from traveling through the receiver if the latch is depressed while firing. The gun must be recocked to disengage the latch safety from the striker.
- **Loaded Chamber Indicator** – Indicates when a cartridge is present within the chamber.
- **Cocked Striker Indicator** – Indicates if the striker is in its rearward fully cocked and engaged position, ready for firing.
- **Handguard** – Prevents the fingers of the gripping hand from accidentally slipping in front of the muzzle during firing. **DO NOT** allow the fingers of either hand to be positioned in front of or near the muzzle at any time.

- **Grip Assist Ramp** – Ramped surface on the outboard side of the latch that is designed to hold the stock in an easy-to-grasp, raised position when laid on a flat surface, latch side down.

GENERAL AMMUNITION SAFETY RegCode: H

- Only use original domestic origin, high quality standard load factory-manufactured ammunition.
- **DO NOT** oil cartridges or spray lubricants, preservatives or cleaners directly onto cartridges or where overspray may flow into contact with cartridges.
- Only use ammunition of the caliber for which your firearm is chambered. The proper caliber is permanently engraved on the barrel of your firearm.
- +P or +P+ ammunition generates pressures in excess of standard ammunition. These pressures exceed the design margin of safety. Use of reloaded, “remanufactured”, hand-loaded or other non-standard loaded (+P or +P+) ammunition voids all warranties.
- Always use ammunition that complies with industry performance standards established by the Sporting Arms and Ammunition Manufacturers’ Institute, Inc. of the United States (SAAMI).
- Firearms may be severely damaged and serious injury or death to the shooter or others may result from any condition causing excessive pressure inside the chamber or barrel during firing.
- Excessive pressure can be caused by an obstruction in the barrel, propellant powder overloads or by use of incorrect or defectively assembled cartridges. In addition, use of dirty, corroded or damaged cartridges can lead to a burst cartridge case and consequent damage to the firearm and personal injury from the sudden escape of high-pressure propellant gas within the firearm mechanism.

- Immediately stop shooting and check the barrel for a possible obstruction whenever you have difficulty, unusual feel or resistance when chambering a cartridge; a cartridge misfires (does not fire); hangfires (delay in firing); is squib loaded (under powered); ejector mechanism fails to eject a fired cartridge case; unburned grains of propellant powder are discovered spilled in the mechanism; or if the shot sounds weak or abnormal.
- Bullets can become lodged in the barrel if the cartridge was improperly loaded without propellant or if the propellant fails to ignite. This condition may also occur if the bullet was not tightly seated in the cartridge case. When ejecting such a cartridge from the chamber without being fired, it may leave the bullet behind in the bore at the point where the rifling begins. Subsequent chambering of another cartridge may push the bullet further into the bore.
- If you suspect a bullet may be obstructing the barrel, immediately unload the firearm, open the action and examine the bore. It is not sufficient to merely look in the chamber.
- If a bullet is in the bore **DO NOT** attempt to shoot it out by using another cartridge or by blowing it out with a blank. The bullet may be dislodged by gently tapping it out using a wood or brass dowel, working from the breech towards the muzzle. **DO NOT** hammer a bullet lodged in the bore. If the bullet cannot be dislodged by tapping with a dowel, take the firearm to a qualified gunsmith.

USER INSTRUCTIONS

RegCode: 8

Loading

- Step 1** While keeping the muzzle pointed in a safe direction, grip the Palm Pistol® with your dominant hand, the longitudinal centerline of the stock held perpendicular to the ground, and latch towards your thumb.

- Step 2** Fully depress the latch with your thumb and pivot the stock away from the barrel (not the barrel away from the stock).
- Step 3** Insert a domestic origin, factory new, standard load cartridge completely into the chamber.
- Step 4** Grip the barrel between the handguard and the chamber, fully depress both grip safeties and carefully pivot the stock back towards the barrel (not the barrel towards the stock) until the latch locks the barrel into its fully closed and secured position and immediately release both grip safeties. **DO NOT** place your hand or fingers in front of the muzzle at any time. Be careful not to pinch your fingers between the charging arm and the barrel camming surface.

Firing

- Step 5** Grip the stock in your dominant hand with barrel held between the index/middle, middle/ring, or ring/little fingers and stock firmly against the palm of the hand. A person with physical limitations precluding the use of the upper trigger button by the thumb of the gripping hand may prefer a "teacup" grip, meaning that the gun is gripped with the dominant hand while positioning the heel of the gripping hand in the cupped palm of the supporting hand while depressing the lower trigger button with any of the fingers from the supporting hand. Be certain to keep the fingers both of the supporting hand and the gripping hand well clear of and behind the muzzle. Fully depress the two grip safeties located on either side of the barrel with the palm side of the fingers being used to grip the stock. Both grip safeties must be fully and independently depressed before the gun can be fired.
- Step 6** Push the trigger cover closest to your thumb up and forward with your thumb and place your thumb on the trigger button. If you are missing the thumb on your

gripping hand, grip the barrel between your ring/little finger and use your index finger to depress the trigger. Alternately, hold the gun in a “teacup” grip as described in Step 5 and using a finger from the supporting hand, open the trigger cover and place your finger on the bottom trigger button.

Step 7 Aim the muzzle at the intended target and “push” the trigger button to fire.

Optional Picatinny Rail

Step 8 If desired, the optional Picatinny rail may be installed on either side of the handguard using the supplied Allen head screw and wrench. The rail may be used to mount aftermarket accessories such as laser designator or flashlight. Unload the gun and keep the action open before and during rail mounting.

Unloading

Step 9 Remove your thumb from under the trigger cover and allow both grip safeties to return to their resting non-depressed positions.

Step 10 Depress the latch button and open the action as described in Step 2. Slightly tilt the chamber downward and the spent cartridge casing will eject from the chamber. If necessary, you may assist ejection by pushing the ejector rod towards the barrel hinge with a finger placed on the scalloped and ridged cutout.

Threaded Muzzle

Step 11 The barrel muzzle has a standard 5/8 x 24 thread. This accepts the optional thread protector, crenelated strike bezel and barrel extension. The threading is also intended for future civilian or military/police attachments such as an extra round carrier, muzzle brake, flash suppressor or sound suppressor (where legally permitted).

IMPORTANT WARNING – BARREL CHAMBERING

The **Palm Pistol®** is chambered for .38 Special cartridges, standard domestic origin factory loading only. The barrel and stock is not intended to withstand the chamber pressures or recoil forces of +P or +P+ loadings.

IMPORTANT WARNING – LATCH/BARREL TAB ENGAGEMENT

Be certain the latch is seated over and fully engaged with the corresponding barrel tab before firing. If the latch is not fully closed, the latch safety will prevent the striker from moving. If the latch safety engages the striker, you must open and reclose the action.

IMPORTANT WARNING – EJECTOR

The **Palm Pistol® ejector** may cast a spent casing towards the users face or that of a nearby observer when opening the action. Always anticipate the direction the casing may travel and wear ANSI-approved eye and ear protection at all times.

IMPORTANT WARNING – BARREL EXTENSION

The optional **Palm Pistol® barrel extension** can be temporarily mounted on the threaded muzzle until the user is familiar with operation of the firearm and can load/unload it without sweeping the muzzle. It can also be used permanently for users with limited hand strength or manual dexterity by providing greater leverage to open and close the action.

CLEANING AND MAINTENANCE RegCode: 9

Never attempt to remove the grip panels, trigger covers or disassemble the Palm Pistol® for cleaning. The bore should be cleaned using a bronze bore brush dipped in gun cleaning

solvent followed by consecutive swabbing with a series of clean patches soaked in gun cleaning solvent until the last patch emerges clean. This should be followed by a lightly oiled patch using a brass patch loop and gun cleaning rod. The last step is removal of excess oil by running a bore mop through the bore several times. The receiver breach face and other exterior surfaces should be cleaned with a nylon bristle brush soaked in gun cleaning solvent, wiped dry with a clean soft cloth and then wiped with a silicone impregnated cloth.

DO NOT permit independent gunsmiths to disassemble or modify the Palm Pistol® in any way. Should the gun need repair or replacement of parts due to damage from a drop or other reason, please contact Constitution Arms for an authorized repair return.

LIMITED WARRANTY

RegCode: 3

This **“Limited Warranty”** has been drafted to comply with the Magnuson-Moss Warranty Federal Trade Commission Improvement Act which is effective for goods manufactured on or after December 31, 1995.

Constitution Arms™ firearms are warranted to be free from defects in material and workmanship for one (1) year after the date of original new gun retail purchase. **Constitution Arms™** agrees to correct by repair or replacement (with the same or comparable quality model) your firearm without charge, if returned prepaid with a copy of the bill of sale which clearly shows the serial number.

Constitution Arms™ assumes no responsibility for product malfunction or for physical injury or property damage resulting in whole or in part from criminal, careless, or negligent use of the product, improper or careless handling, unauthorized modifications, use of foreign origin, defective, improper, or hand-loaded ammunition, customer abuse or

neglect of the product, or other acts beyond its control. This warranty does not apply to normal wear of any parts, including metal, wood, plastic, rubber, polymer and other material's surfaced finish or if unauthorized repair and/or alteration has been performed.

This warranty does not cover repairs related to unreasonable use, corrosion, neglect, failure to provide proper maintenance, damaged or shopworn display guns, gun barrels damaged by an obstructed bore or guns damaged in return shipment due to improper packing and handling.

Constitution Arms™ reserves the right to inspect any product before making any adjustment covered by this warranty.

Under no circumstances shall **Constitution Arms™** be liable for incidental or consequential damages with respect to economic loss, injury, death, or property damage whether as the result of breach of express or implied warranty, negligence, or otherwise. Some states do not allow the exclusion of consequential or incidental damages, so the limitation may not apply to you. This warranty gives only the original retail purchaser specific legal rights. Other rights may also be available which may vary from state to state. The terms of the warranty cannot be changed except in writing by an officer of **Constitution Arms™**.

IMPORTANT WARNING – FDA MEDICAL DEVICE

The Food and Drug Administration has determined the **Palm Pistol®** is not a "medical device" under section 201(h) of the Federal Food, Drug and Cosmetic Act because it is not intended for use in the diagnosis of disease or other conditions, or in the cure, mitigation, treatment or prevention of disease in man.

The original enclosed Limited Warranty Registration Card **MUST** be submitted to activate warranty coverage. Photocopies are not acceptable. **In order to acknowledge and affirm that each section of the manual has been read, copy the seven (7) registration codes (RegCode) printed in each of the blue section headers, consisting of a series of letters and numbers, into the spaces indicated on the postcard.**

Contact us by email at mcarmel@constitutionarms.com or 973-378-8011 **BEFORE** returning the firearm for repairs. Once return is authorized, ship the **Palm Pistol®** to **Constitution Arms™**, 12 Hoffman St., Maplewood, NJ 07040-1114, attn: Warranty Repairs. All firearms **MUST** be shipped to us from your designated Federal Firearms Licensee (FFL) and it will be returned **ONLY** to the same FFL. Ship the firearm in its original case insured via UPS Next Day Saver or FedEx. The US Postal Service prohibits shipment of firearms by non-FFLs.

Your package **MUST** include a typewritten or legibly hand-printed letter which contains your name, complete mailing address (not a Post Office box), daytime telephone number, email address, firearm serial number, a copy of the original Bill of Sale (which shows your name and address, date of purchase, matching firearm serial number) and a complete description of the problem.

DO NOT return the firearm for warranty repair if it contains a bullet or casing lodged in the barrel or chamber. The obstruction **MUST** first be removed by a qualified gunsmith. It is illegal to ship a live (unfired) cartridge or primer by air and without proper DOT marking, labeling, placarding and manifesting.

TECHNICAL SPECIFICATIONS

Overall Length (inches/mm)	5.2/131.8
Barrel Length (inches/mm)	2.5/63.2
Overall Width (inches/mm)	1.4/36.3
Stock Height (inches/mm)	3.6/91.4
Weight, Unloaded (ounces/gm)	14.0/395.9
Caliber	.38 Special, domestic origin, standard factory loading only
Barrel, Bore (inches)	.347-.348
Rifling, Pitch	RH 1:10
Rifling, Number of Grooves/Width (inches)	6/.356-.358
Rifling, Groove Depth, Nominal (inches)	.005
Muzzle Thread Size and Pitch	5/8 x 24
Recommended Maximum Shooting Distance (feet/m)	10/3
BATFE Classification	Standard pistol (not AOW)

Please support and defend the US Constitution and Second Amendment by being a safe and responsible law-abiding gun owner.

ILLUSTRATIONS

